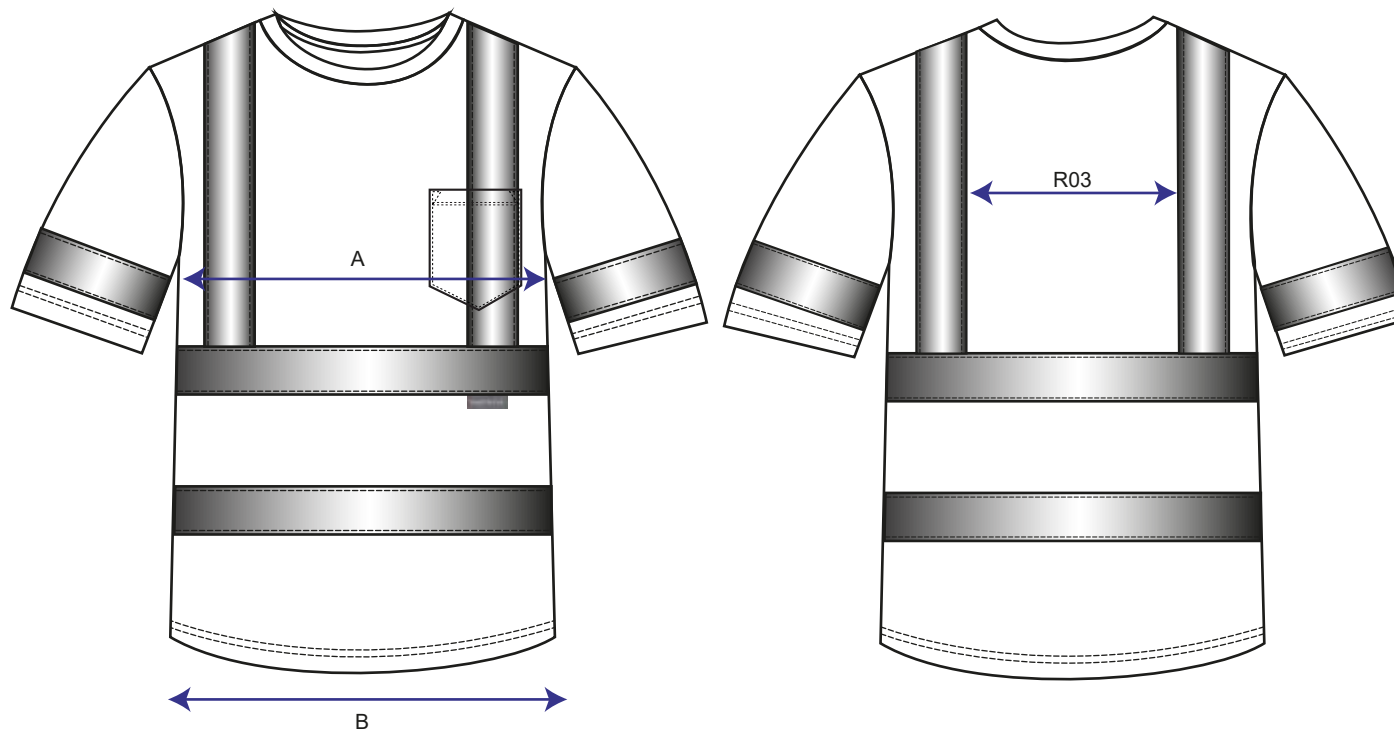


STYLE NO: S393

DESCRIPTION: Class 3 Basic T-Shirt

FABRIC: 100% Polyester Bird Eye Knit

COLOUR: Yellow



	Area	S	M	L	XL	XXL	3XL	4XL	5XL	6XL	Tol (plus)
A	Chest - 2.5cm below armhole point	52	55	58	62	66	70	74	78	82	1
B	Hem circumference	52	55	58	62	66	70	74	78	82	1
R03	Distance between vertical bands of reflective tape	24	26	28	30	32	34	35	36	37	0.5